

PV-ezRack PostMount-A

Robust pole mount system with adjustable angle from one to four panels



PV-ezRack PostMount-A

Clenergy's PV-ezRack PostMount-A delivers flexible and durable designs to mount from one to four panels per post. It's ideal for remote off-grid applications such as water pumps or small residential and commercial systems. The panel tilt is easily adjustable between 0° and 60° throughout the year and comes with hassle-free mounting thanks to patented components such as the PV-ezRack rails and clamps. The combination of high quality aluminium, stainless steel and galvanised steel components make this a robust, reliable system with excellent corrosion resistance.

Main Benefits

Suitable for every soil condition

With its concrete foundation, PostMount-A can be installed on even or uneven ground or on a slope, making it suitable for any soil type and a wide range of applications.

Adjustable tilt angle

The steel cap (post head) is designed to tilt panels between 10° and 60° to ensure that you get the required power output you need - anywhere, anytime. Changing the angle merely requires a single pair of spanners.

Robust and reliable

Mounted on aluminium rails the panels are supported by robust galvanised steel landscape and master tubes secured with stainless steel bolts. The post is fixed in to a concrete foundation.

Quick and easy installation

Innovative and internationally patented, the Z-Module technology is used in almost all PV-ezRack components. The Z-Module provides a quick, easy and safe installation method and can be inserted in to the rail at any given point, secured with just three hand grips.

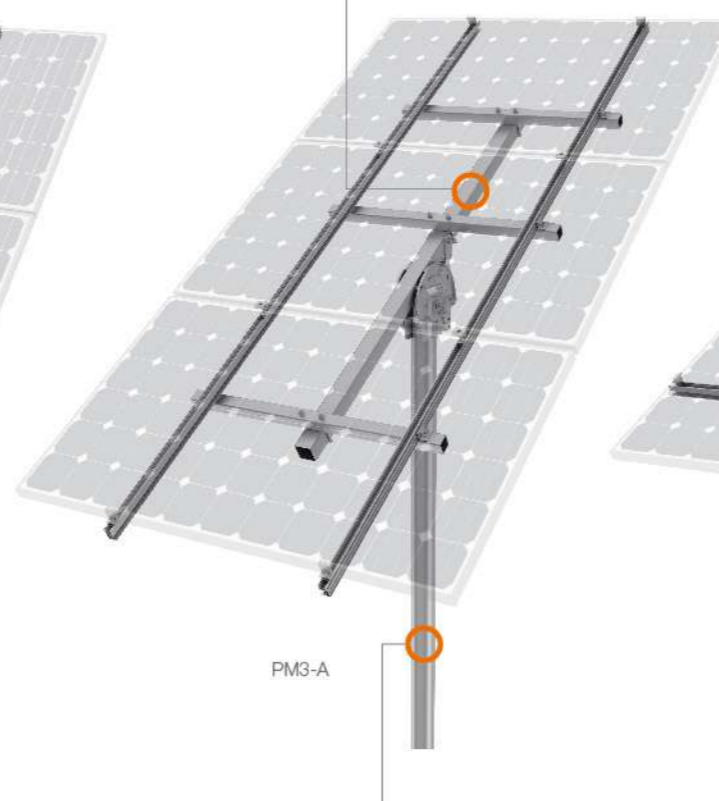
PM1-A



PM2-A



PM3-A



PM4-A



ER-IC-ST

ER-EC-ST



Inter and End clamps

Using the patented Clenergy Z-module, PV-ezRack Inter and End clamps offer a simple, easy to use and robust fixing of PV panels of any size. Compatible clamps for thin film modules are also available.

ER-P

Post

This is a steel post with the outside diameter of 102mm (wall thickness 6mm), which is embedded in to concrete. It is also available with welded mounting plate (flange).

ER-SC

Steel cap

The steel cap sits on top of the post and connects the adjustable tube to the master tube allowing easy adjustment between the different tilt angles.

ER-RT

Master tube

The master tube connects to the adjustable tube and steel cap. It is a robust galvanised steel profile and holds the angle brackets or the landscape tubes with U-bolts.

ER-R-ECO

ECO-Rail

Specifically developed to achieve larger spans, the design of the aluminium ECO-Rail enables faster installation. The ECO-Rails have two patented Z-Module channels with one at top for panel mounting and the second on side which connects to the PostMount-A structure.

Available accessories

Grounding/earthing



Cable clip



Isolator bracket



Rail caps



Materials

AL6005-T5 | SUS304 | Q235

Contact us or one of our qualified resellers for a personalised quotation today.

10 Year Warranty*

Commercial

Residential

International Patent
PCT/AU2009/000616

*see Clenergy PV-ezRack warranty for further details

Clenergy
Innovating renewable energy



Worldwide network



Clenergy America
 400 Continental Blvd, 6th Floor, El Segundo, CA 90245
 Tel: +1 310-426-2617

Clenergy Australia
 1/10 Duerdin Street, Clayton VIC 3168 Australia
 Tel: +61 3 9239 8088 Fax: +61 3 9239 8024
 E-mail: sales@clenergy.com.au www.clenergy.com.au

Clenergy China
 999-1009 Min'an Rd, Huoju Hi-tech Ind. Dev. Zone
 Xiang'an District 361101, Xiamen, Fujian, China
 Tel: +86 592 311 0088 Fax: +86 592 599 5028
 E-mail: sales@clenergy.com.cn www.clenergy.com.cn

Clenergy Europe
 Clenergy Court, Blisworth Hill Farm Stoke Road, Blisworth
 Northampton, NN7 3DB, UK
 Tel: +44 1604 857 674 Fax: +44 1604 858 620
 E-mail: sales_uk@clenergy.com www.clenergy.uk.com

Clenergy Japan
 SOHO STATION 401, 24-8 Yamashita-cho, Naka-ku
 Yokohama, 231-0023 Japan
 Tel: +81 45 228 8226 Fax: +81 45 228 8316
 E-mail: sales@clenergy.co.jp www.clenergy.jp

Clenergy Philippines
 145 Yakal St., San Antonio village, Makati City, Philippines
 Tel: +63 977 8407282 +63 977 8407240
 E-mail: sales_ph@clenergy.com www.clenergy.ph

Clenergy Malaysia (Regional Office)
 Suite 8.01, Level 8, Menara IGB, Mid Valley City Lingkaran Syed
 Putra, 59200, Kuala Lumpur, Malaysia
 Phone: +60 3 2202 4268 Fax: +60 3 2202 4001
 E-mail: sales@clenergy.my www.clenergy.my

Clenergy Thailand
 9/2, 5th Floor, Vorasin Building, Soi Yasooob 2, Viphavadee-Rungsit Road,
 Chomphon Sub-district, Chatuchak District, Bangkok 10900
 Tel: +66 63 228 0200, +66 81 969 5152
 E-mail: sales_th@clenergy.com, support_th@clenergy.com

